

ALFRED TEVES BRAKE SYSTEMS (PTY) LTD

TECHNICAL BULLETIN

SEPTEMBER 2024

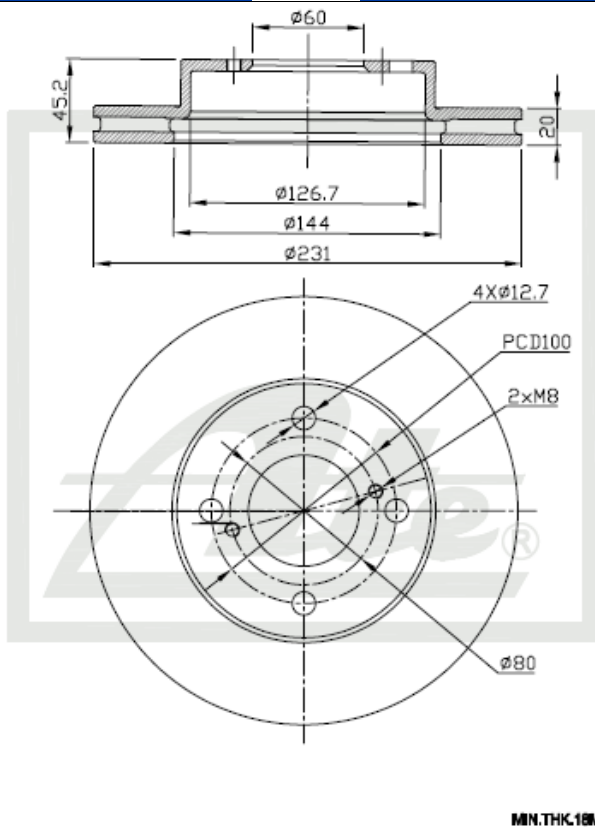


(ATE and Teves are registered trademarks of Continental Teves AG & Co oHG and/or its affiliates in Frankfurt Germany and other Countries)

120.1005

NEW PART NUMBER

Drawing



Details of New Part

Brake Disc – Front

Product Dimensions

Diameter – 231.0mm

Thickness - 20mm

Height – 45.2mm

PCD – 100mm

Spigot – 60.0mm

Package Dimensions

Weight – 4000g

L – 260mm

W – 250mm

H – 60mm

Barcode



120.1005

Vehicle Applications

- SUZUKI IGNIS III (MF) [2017-] 1.2
- SUZUKI IGNIS III (MF) [2017-] 1.2 AllGrip
- SUZUKI IGNIS III (MF) [2017-] 1.2 Hybrid
- SUZUKI IGNIS III (MF) [2017-] 1.2 Hybrid AllGrip

Front

Position

Rear



CALL NOW TO ORDER YOUR STOCK!!!

(011) 898 1800

Picture(s) of the vehicle(s) that this part is suitable for



www.ate.co.za

"Single Minded about YOUR Safety"